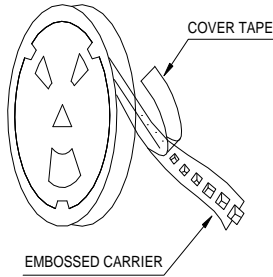
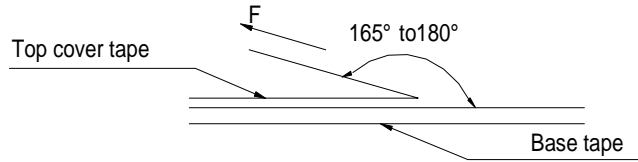


Packaging Information

• **Tearing Off Force**



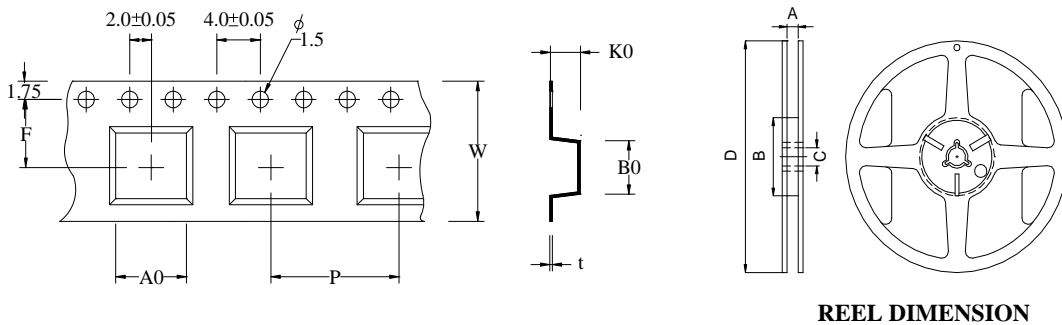
★The force for tearing off cover tape is 10 to 120 grams in the arrow direction under the following conditions.



• **DIMENSIONS & RECOMMENDED PATTERN**

TYPE	DIMENSIONS / SIZE (mm)			PATTERN / SIZE (mm)		
	A	B	C	D	E	F
JSB 1003	10.5 Max.	10.5 Max.	3.5 Max.	2.5	5.6	3.2

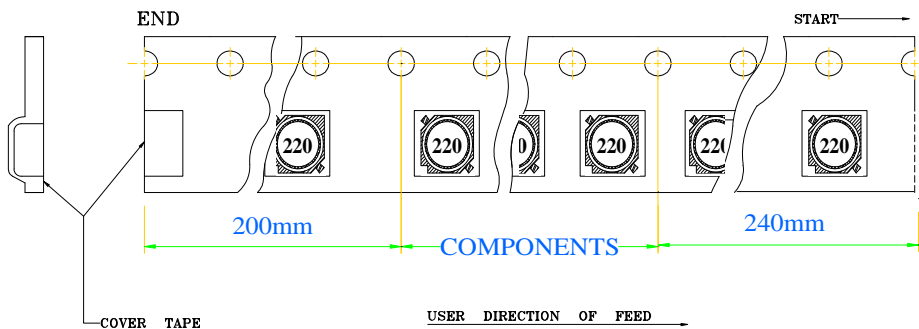
• **TAPE DIMENSION & REEL DIMENSION**



REEL DIMENSION

TYPE	TAPE / SIZE (mm)							REEL 13"×24mm			
	A0	B0	K0	P	W	F	t	A	B	C	D
1003	10.5 ± 0.1	10.5 ± 0.1	3.4 ± 0.1	16 ± 0.1	24 ± 0.3	11.5 ± 0.1	0.35 ± 0.05	24.5 ± 0.2	100 ± 0.5	13.2 ± 0.3	330 ± 1.0

• **PACKAGING QUANTITY**



Type	JSB 1003
Q'TY/Reel	1,000